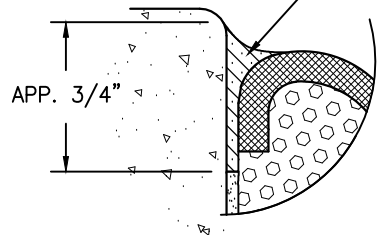


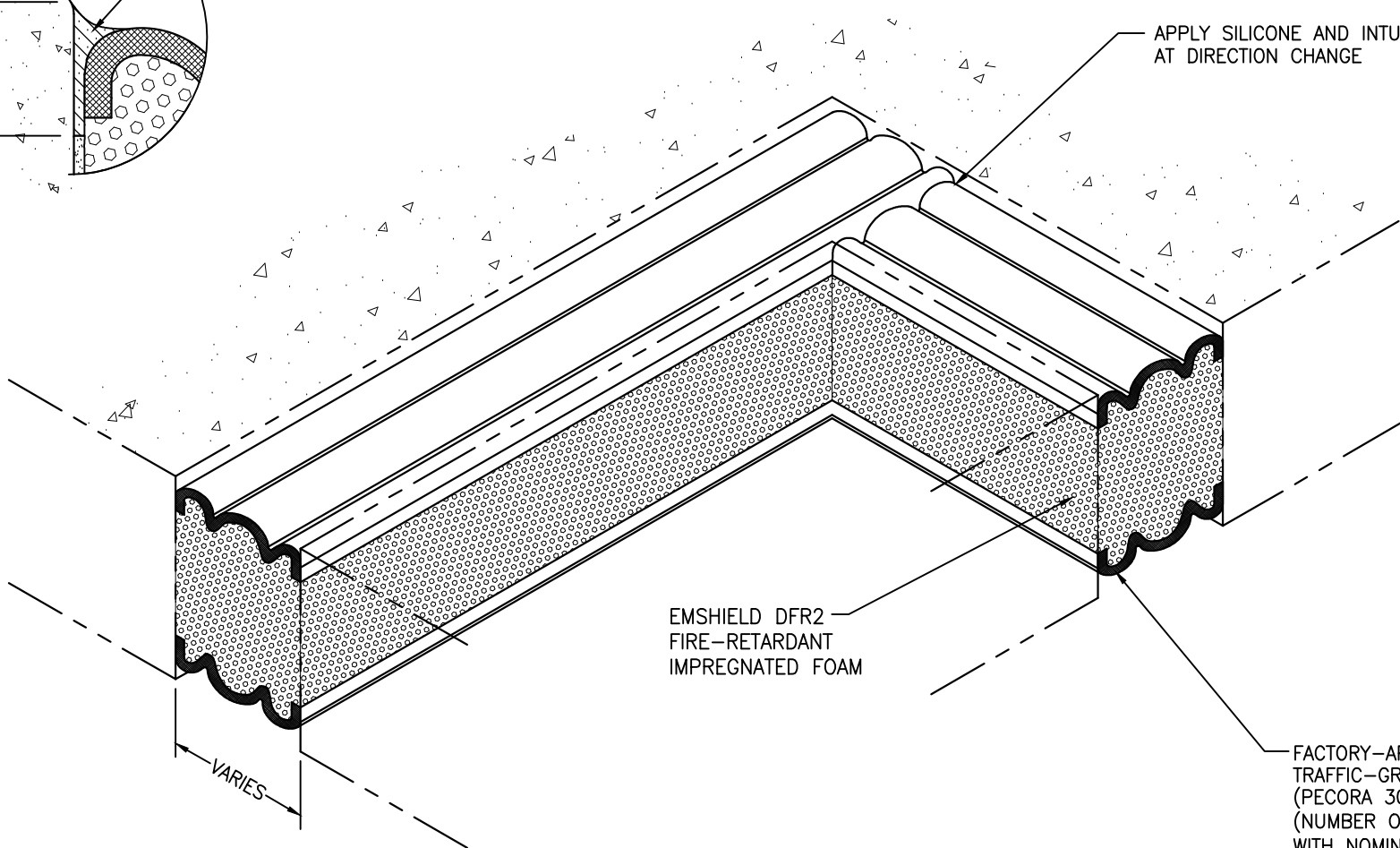


System # FW-D-()
 System # ()
 UL CERTIFICATION
 VARIES WITH NOMINAL
 MATERIAL SIZE

FIELD-APPLIED SILICONE SEALANT BAND AND
 CORNER BEADS FORCED DOWN ALONG SIDE
 OF EMSHIELD DFR2 AS SHOWN - BOTH SIDES
 (SILICONE SUPPLIED BY EMSEAL)



APPLY SILICONE AND INTUMESCENT
 AT DIRECTION CHANGE



EMSHIELD DFR2
 FIRE-RETARDANT
 IMPREGNATED FOAM

FACTORY-APPLIED AND CURED
 TRAFFIC-GRADE SILICONE FACING
 (PECORA 301)
 (NUMBER OF BELLOWS VARIES
 WITH NOMINAL MATERIAL SIZE)

VARIES

MOVEMENT: ±50 (TOTAL 100%) OF NOMINAL MATERIAL SIZE

EMSEAL JOINT SYSTEMS LTD.

EMSHIELD DFR2 HORIZONTAL TRANSITION- TYPICAL

THIS DOCUMENT CONTAINS INFORMATION OF A CONFIDENTIAL NATURE AND IS PROPRIETARY TO EMSEAL JOINT SYSTEMS LTD. ANY UNAUTHORIZED USE WILL BE PROSECUTED. THIS DRAWING IS PROTECTED BY COPYRIGHT, THE RIGHT TO REPRODUCE IN ANY FORM BEING THE EXCLUSIVE RIGHT OF EMSEAL JOINT SYSTEMS LTD. ANY UNAUTHORIZED REPRODUCTION WHETHER IN TWO OR THREE DIMENSIONS WILL BE PROSECUTED. © 2014 EMSEAL JOINT SYSTEMS LTD.

DRAWN BY: ORK	DATE: 2016/09/23	SCALE: N.T.S.	SHEET No: 1 OF 1
------------------	---------------------	------------------	---------------------

PART NUMBER:
EMSHIELD DFR2 HORIZONTAL TRANSITION-TYPICAL