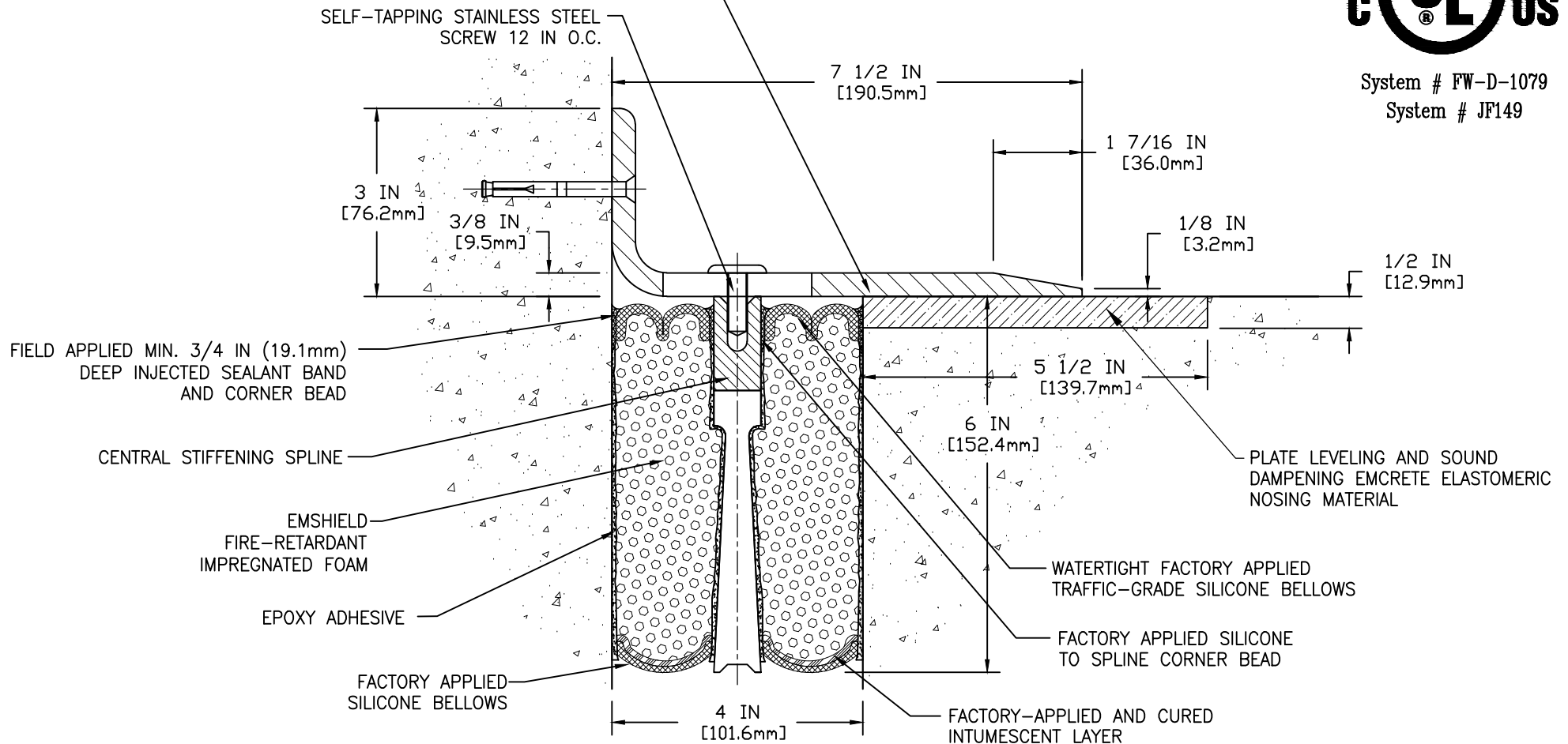


SAND-BLASTED ALUMINUM COVERPLATE  
ALSO AVAILABLE IN SAND-BLASTED STAINLESS STEEL  
OTHER FINISHES BY REQUEST



System # FW-D-1079  
System # JF149



NOTE: 3/8 IN (9.5mm) COVERPLATES FOR VEHICLE AND PEDESTRIAN-TRAFFIC USE  
(FOR PEDESTRIAN-TRAFFIC ONLY, USE 1/4 IN (6.4mm) COVERPLATE)

CROSS SECTION  
SJS-FR1-0400-CVRX-38-07.50-DW-LC-SYS

MOVEMENT: ±50%  
+ 2 IN (51mm)  
- 2 IN (51mm)

EMSEAL'S EMSHIELD SJS-FR1 HAS BEEN TESTED IN ACCORDANCE WITH UL 2079 IN THE CONFIGURATION DEPICTED IN SYSTEM # FW-D-1079. USE OF THIS MATERIAL IN WALL ASSEMBLY CONFIGURATIONS OTHER THAN THAT DEPICTED IN UL SYSTEM # FW-D-1079 WILL NOT ENCUMBER OR LOWER THE RESISTANCE OF THE WALL BUT IS DONE SO AT THE DESIGNER'S DISCRETION AND RESPONSIBILITY FOR DESIGN OF A FIRE RATED WALL ASSEMBLY THAT MEETS APPLICABLE STANDARDS FOR THE PROJECT AND WHICH ADDITIONALLY IS CAPABLE OF RESISTING THE APPROXIMATELY 2.5 PSI (120 LBS PER FOOT OF JOINT BASED ON 4-INCH DEPTH OF SEAL) BACKPRESSURE OF THE SJS-FR1 MATERIAL.

## EMSEAL JOINT SYSTEMS LTD.

SJS-FR1 - 1-HOUR FIRE-RATED, DECK TO WALL EXPANSION JOINT - W/EMCRETE

THIS DOCUMENT CONTAINS INFORMATION OF A CONFIDENTIAL NATURE AND IS PROPRIETARY TO EMSEAL JOINT SYSTEMS LTD. ANY UNAUTHORIZED USE WILL BE PROSECUTED. THIS DRAWING IS PROTECTED BY COPYRIGHT, THE RIGHT TO REPRODUCE IN ANY FORM BEING THE EXCLUSIVE RIGHT OF EMSEAL JOINT SYSTEMS LTD. ANY UNAUTHORIZED REPRODUCTION WHETHER IN TWO OR THREE DIMENSIONS WILL BE PROSECUTED. © 2014 EMSEAL JOINT SYSTEMS LTD.

DRAWN BY: NER	DATE: 2014/05/06	SCALE: N.T.S.	SHEET No: 1 OF 1
------------------	---------------------	------------------	---------------------

PART NUMBER:  
SJS-FR1\_4\_DW\_CONC\_3-8\_PLATE\_LONG\_CHAMFER\_EMCRETE